

ILLUSTRATED PARTS BREAKDOWN

PARTNER

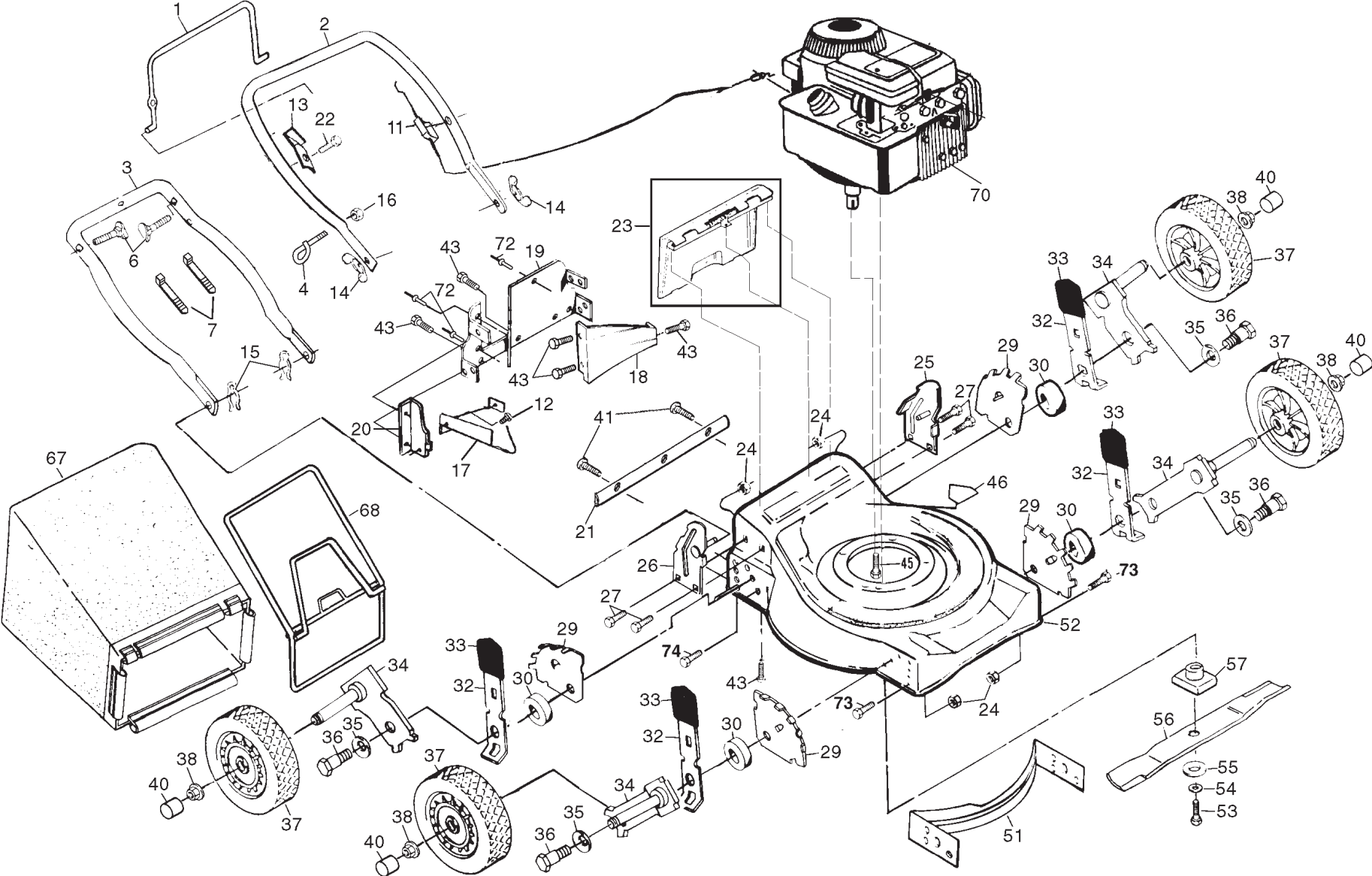
20" ROTARY LAWN MOWER

MODEL NO. 150 (P150BSF)

954 06 74-02

REPAIR PARTS

REAR BAGGER ROTARY MOWER - - MODEL NO. 150 (P150BSF), PRODUCT NO. 954 06 74-02



REPAIR PARTS

REAR BAGGER ROTARY MOWER - - MODEL NO. 150 (P150BSF), PRODUCT NO. 954 06 74-02

KEY NO.	PART NO.	DESCRIPTION
1	532131696	Control Bar
2	532168730	Upper Handle
3	532153406	Lower Handle
4	532132001	Rope Guide
6	532131959	Handle Bolt
7	532066426	Wire Tie
11	532162778	Engine Zone Control Cable
12	532150050	Hex Washer Head Screw #10-24 x 1/2
13	532125203	Up-Stop Bracket
14	532128638	Wing Nut
15	532051793	Hairpin Cotter
16	532063601	Keys Locknut 1/4-20
17	532125378	Discharge Baffle
18	532173297	Rear Baffle
19	532162473	Back Plate
20	532138866	Side Baffle
21	532147625	Foot Guard
22	532750097	Hex Tapping Screw #10-2
23	532147613	Rear Door Assembly Kit
24	532751592	Locknut 3/8-16
25	532153030	Handle Bracket Assembly (Left)
26	532153029	Handle Bracket Assembly (Right)
27	532150078	Screw 5/16-18 x 3/4
29	532139901	Wheel Adjusting Bracket
30	532146630	Spacer
32	532141730	Selector Spring
33	532087877	Selector Knob
34	532149857	Axle Arm Assembly

KEY NO.	PART NO.	DESCRIPTION
35	532062335	Belleville Washer
36	532142748	Shoulder Bolt 3/8-16
37	532800220	Wheel Assembly
38	532083923	Flanged Locknut
40	532800090	Hubcap
41	532146694	Screw
43	532054583	Hex Tapping Screw 1/4-20 x 1/2
45	532150406	Hex Head Thread Rolling Screw 3/8-16 x 1
46	532145494	Danger Decal
51	532170635	Front Baffle Kit
52	532170657	Housing Assembly (Incl. Ref. #46, 51, 19, & 20)
53	532851084	Hex Head Screw 3/8-24 x 1-3/8 Grd. 8
54	532850263	Helical Lock Washer
55	532851074	Hardened Washer
56	532850972	20" Blade
57	532850977	Blade Adapter
67	532149867	Grass Bag
68	532149555	Catcher Frame
70	-----	* Engine - Briggs & Stratton Model No. 9D902 Order parts from engine manufacturer
72	532128415	Pop Rivet
73	817600406	Screw
74	532088652	Screw
--	532172931	Operator's Manual (Scan)
--	532172930	Operator's Manual (Euro)

Available accessories not included with mower:

--	MA36	Chute Deflector
--	MK20FRD	Mulcher Kit